

GENERAL CHARACTERISTICS

Mechanical Flow Switch for liquids or gaseous media. A bellow-supported paddle activates an adjustable micro switch. Rugged design in brass or stainless steel.

- * operational range a diameter 25-150
- * good repeatability
- * low pressure loss

Male thread R1" brass/stainless steel



CRE-025HM



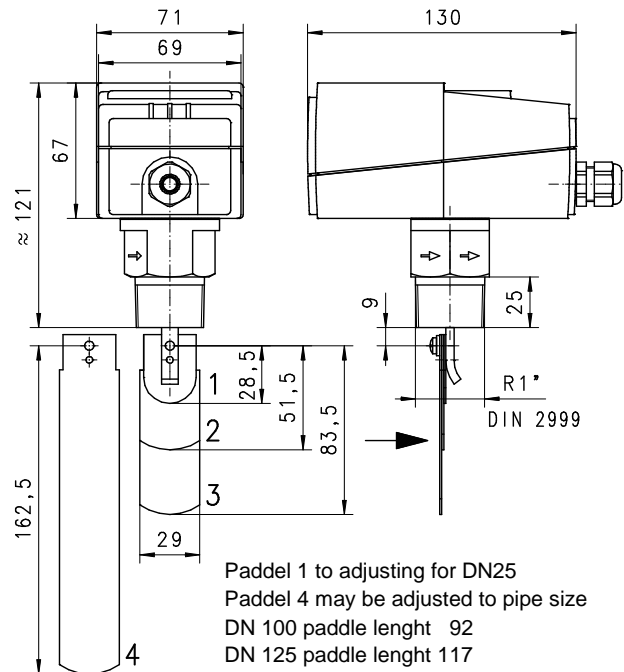
TECHNICAL DATA

DN	Qmax. recom. m³/h H₂O	adjustable range m³/h H₂O	adjustable range reduced m³/h H₂O	paddle
25	3.6	0.55 - 2.0	0.19 - 1.0	1
32	6	0.82 - 2.8	0.24 - 1.4	1
40	9	1.1 - 3.7	0.5 - 1.9	1
50	15	2.1 - 7.3	0.9 - 3.6	1,2
65	24	2.8 - 9.8	1.2 - 4.9	1,2
80	36	4.0 - 13.8	2.1 - 7.4	1,2,3
100	60	10.4 - 32.0	4.9 - 17.1	1,2,3
	60	7.0 - 21.7	3.3 - 11.6	1,2,3,4
125	90	20.8 - 63.5	9.7 - 34.0	1,2,3
	90	10.7 - 33.3	5.0 - 17.5	1,2,3,4
150	120	29.2 - 89.1	13.6 - 47.6	1,2,3
	120	13.1 - 39.9	6.1 - 21.4	1,2,3,4

Adjustable range is indicated for horizontally decreasing flow.

pressure	CRE-025HMS	8 bar
	CRE-025HMSR	5 bar
	CRE-025HKS	11 bar
	CRE-025HKSR	5 bar
media temperature	max. 120°C	
average pressure loss	0.08bar at Qmax.	
hysteresis	depending on switch value minimum 0.1 l/min.	
weight	CRE-025HM	0.95kg
	CRE-025HK	1.15kg

Attention! Paddle fixation not secured.
With critical conditions (i.e. vibration) please protect paddle screws.



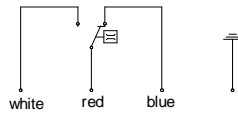
Paddel 1 to adjusting for DN25
Paddel 4 may be adjusted to pipe size
DN 100 paddle lenght 92
DN 125 paddle lenght 117
DN 150 paddle lenght 143
from DN 175 original paddle lenght

MATERIALS

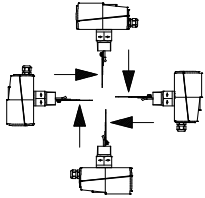
	CRE-025HM	CRE-025HK
housing	brass Ms58	stainless steel 1.4571
paddle	stainless steel 1.4571	stainless steel 1.4571
bellow	tombak	stainless steel 1.4571
cap	ABS	ABS

ELECTRICAL DATA

micro switch - wiring 0.374 change over
250 V AC 15(8) A
cable gland Pg11 or M16x1,5
protection class IP 65



MOUNTING POSITION



Installation position may influence switch value.

METERING SUBSTANCES



water



oil



design stainless steel CRE-025HK for aggressive liquids

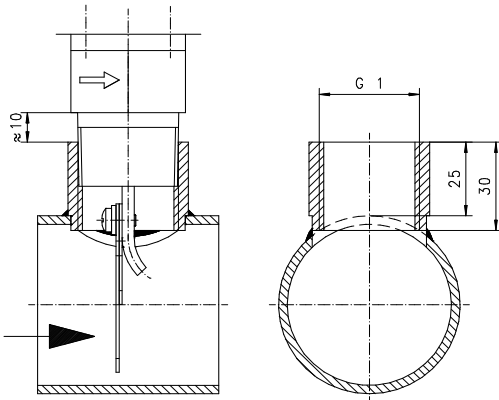
NOMENCLATURE

CRE-	025	H	M	S		basic type
	025					specification
		H				● connection thread DN25 - R1"
			M			● socket thread
			K			● brass design
				S		● stainless steel design
					R	● cable gland at the side
						○ reduced adjustable range
						○ TÜV-approval
Programme option						
BASIC						
Special option						□ gold contacts 125 V AC / 1 A
VARIO						adjustment

IMPORTANT FOR YOUR ORDER

- Please indicate flow direction, metering substance and adjustable range with your order.
- With viscous liquids please indicate viscosity, temperature and metering substance (adjustable range on request)

INSTALLATION RECOMMENDATIONS



tube DIN 2448 standard wall thickness

All technical changes reserved

●BASIC Standard ○BASIC Programme option □VARIO Special option ⊕ PLUS Accessories ✗ not recommendable