

Technical data sheet

Type 402 Non return valve System 02

Applications and special features



- Operates in any position
- Minimum head loss
- Silent, reliable sealing, compact
- Exceptional robustness
- Does not generate hammering
- Notch provided for cable to submerged pumps until DN 100.
- Closing system : long back axial guiding for reduced displacement
- Sealing guaranteed by a flat seal
- Return spring

Technical description

DN "	mm	PN	PFA in bar	PS in bar				Cat	Ref.	Vvs-nr
				L1	L2	G1	G2			
1 1/2	40	10/16	16	16	16	16	16	I	149B2281	
2	50	10/16	16	16	16	16	16	I	149B2282	
2 1/4	60	10/16	16	16	16	16	16	I	149B1176	
2 1/2	65	10/16	16	16	16	15	16	I	149B2283	
3	80	10/16	16	16	16	12	16	I	149B2284	
3	80	10/16	16	16	16	16	16	II	149B2284C2	
4	100	10/16	16	16	16	10	16	I	149B2285	
4	100	10/16	16	16	16	16	16	II	149B2285C2	
5	125	10/16	16	16	16	0,5	16	I	149B2226	
5	125	10/16	16	16	16	16	16	II	149B2226C2	
6	150	10/16	16	13	16	0,5	16	I	149B2227	
6	150	10/16	16	16	16	16	16	II	149B2227C2	
8	200	10	10	10	10	10	10	II	149B2229	
10	250	10	10	10	10	10	10	II	149B2230	
12	300	10	10	10	10	10	10	II	149B2231	
12	300	10/16	16	10	10	10	10	II	149B2231PN16	
14	350	10	10	10	10	0,5	10	II	149B2232	
16	400	10	10	10	10	0,5	10	II	149B2233	
20	500	10	10	10	10	0,5	10	II	149B2235	

Important notice:

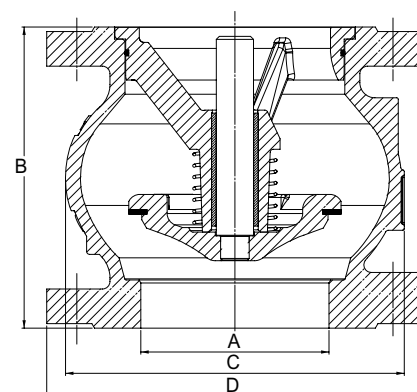
The indicated pressure for the different categories of fluids (L1/L2/G1/G2) is under no condition a guarantee of use. Therefore, it is essential to validate the use of products under given operating conditions.

The operating instructions are available on our web site www.socla.com or by requesting from our sales department.

- **Connection** : flanges drilled PN : see table
- **Permissible operating pressure PFA - water-** (for supply, distribution and disposal of water) : See table
- **Maximum Permissible pressure PS - other mediums:** See table
- **θ** : Mini. -10 °C
Maxi. 100 °C
- **Mediums** : Clear liquids
- **Approvals** : ACS PED 97/23/CE
- **Other approvals available** : **kiwa**
Wras approved material : Consult us
- **International construction Standards** :
CE Conformity Directive 97/23/CE
Flange drilling according to EN1092-2

Overall dimensions

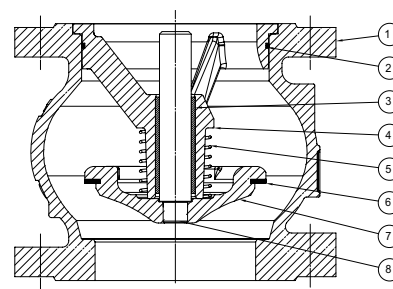
"	A		B	C	D	Weight
	mm	mm	mm	mm	mm	kg
1 1/2	40	85	80	150	4,2	
2	50	100	97	165	5,8	
2 1/4	60	120	125	185	8,1	
2 1/2	65	120	125	185	8,1	
3	80	140	150	200	10,2	
4	100	170	187	220	14,5	
5	125	200	220	250	24	
6	150	230	250	285	32	
8	200	289	340	340	53	
10	250	354	420	405	94	
12	300	396	490	460	140	
14	350	473	586	533	225	
16	400	560	680	597	312	
20	500	750	880	670	540	



Technical data sheet Type 402 - Non return valve

Spare parts list and materials

Nb	Description	Materials	EURO	ANSI
1	CASING DN 40-400 DN 500	Cast iron/epoxy Ductile iron/epoxy	EN 1561 EN-GJL-250 EN 1563 EN-GJS-400-15	ASTM A 48 35 B ASTM A 536 65-45-12
2	O-RING SEAL DN 40-250	EPDM		
3	RING	Bronze	EN 1982 CuSn12-C GS	
4	GUIDE DN50 DN 40 & 60-400 DN 500	Bronze Cast iron/epoxy Ductile iron/epoxy	EN 1982 CuSn5Zn5Pb2-C GS EN 1561 EN-GJL-250 EN 1563 EN-GJS-400-15	ASTM A 48 35 B ASTM A 536 65-45-12
5	SPRING	Stainless steel	EN 10270-3 X10CrNi18-8	AISI 302
6	SEAL	EPDM		
7	CLOSING SYSTEM DN 40 DN 50-65	Brass Bronze	EN12164CuZn40Pb2 R360 EN 1982 CuSn5Zn5Pb2-C GS	
7-8	DN 80-400 STEM CHECK-VALVE	Bronze Cast iron/epoxy	EN 1982 CuSn5Zn5Pb2-C GS EN 1561 EN-GJL-250	ASTM A 48 35 B
7-8	DN 500 STEM CHECK-VALVE	Bronze Ductile iron/epoxy	EN 1982 CuSn12-C GS EN 1563 EN-GJS-400-15	ASTM A 536 65-45-12

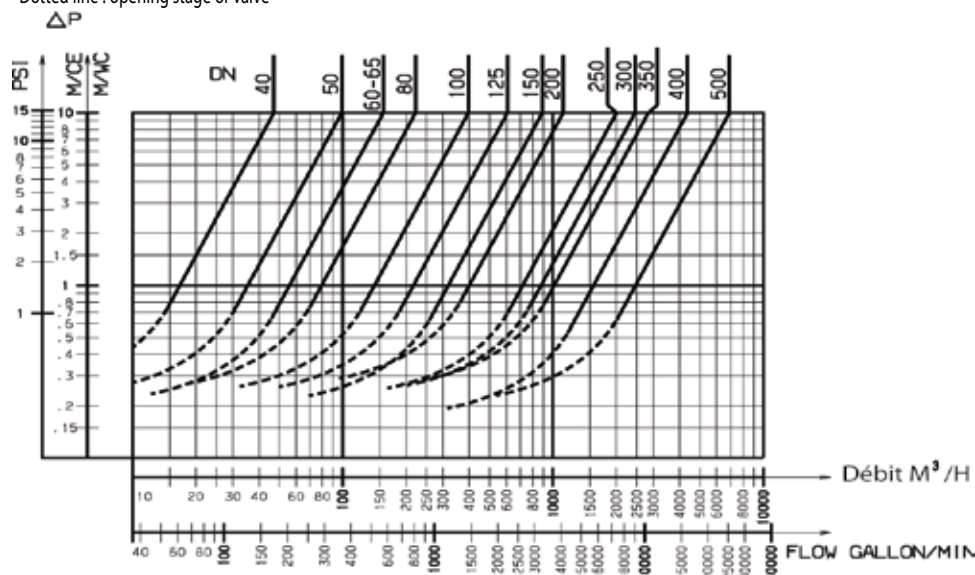


Working principle

#	DN mm	Opening pressure in mm/CE				Kv m ³ /H	ζ
		↑	↓	↔	without spring		
1 1/2	40	440	210	320	120	47,00	1,80
2	50	440	220	330	110	99,00	1,00
2 1/4	60	450	190	320	130	159,00	1,10
2 1/2	65	450	190	320	130	159,00	1,10
3	80	450	190	320	130	222,00	1,30
4	100	500	240	370	130	396,00	1,00
5	125	510	210	360	150	619,00	1,00
6	150	550	210	380	170	890,00	1,00
8	200	590	210	400	190	1120,00	2,00
10	250	710	210	460	250	2010,00	1,50
12	300	820	90	460	365	2459,00	2,10
14	350	860	100	480	380	2843,00	2,90
16	400	800	50	410	390	4370,00	2,10
20	500	1030	0	430	580	6914,00	2,05

Direction for use :

- Solid line : Valve completely open
- Dotted line : opening stage of valve



Socla can accept no responsibility for possible errors in catalogue, brochures and other printed material. Socla reserve the right to alter its products without notice. This also applies to products already agreed. All trademarks in this material are the property of the respective companies. All right reserved.

Socla sas

365 rue du lieutenant Putier
71530 VIREY LE GRAND
Postal address : BP 10273
71107 CHALON SUR SAONE Cedex

Tel : 33 3 85 97 42 52
Fax : 33 3 85 97 97 42
<http://www.socla.com>
e-mail: commer@socla.com